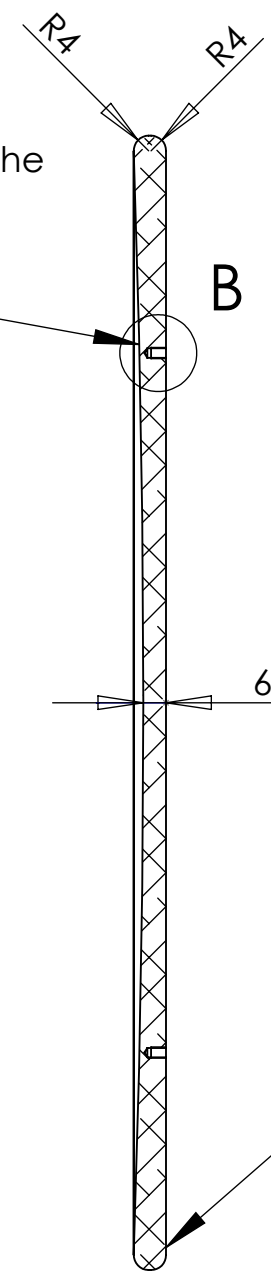
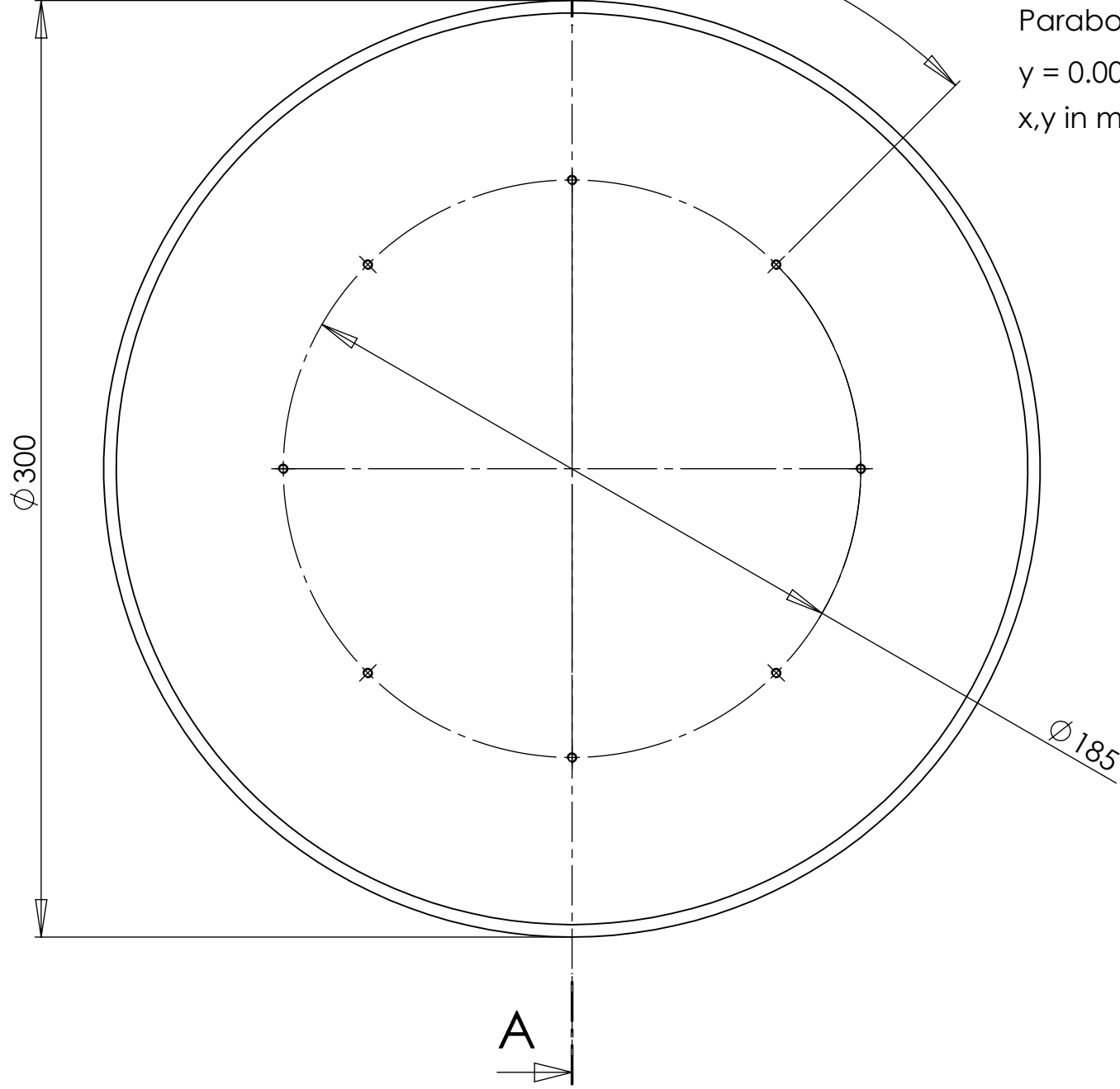
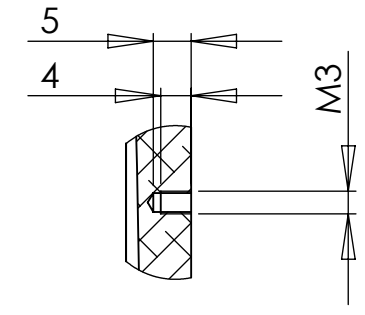


1 Stück



DETAIL B
 MAßSTAB 1 : 1



SCHNITT A-A
 MAßSTAB 1 : 2

Ra 3.2

ALLG.TOL. DIN ISO 2768 - m		FINISH:		DEBUR AND BREAK SHARP EDGES		DO NOT SCALE DRAWING		REVISION	
DRAWN		SIGNATURE		DATE		TITLE:			
CHK'D									
APPV'D									
MFG									
Q.A						MATERIAL:		DWG NO.	
						6061 Alloy		paddleParabolic02424	
						WEIGHT: 1386.66		SCALE:1:5	
								SHEET 1 OF 1	